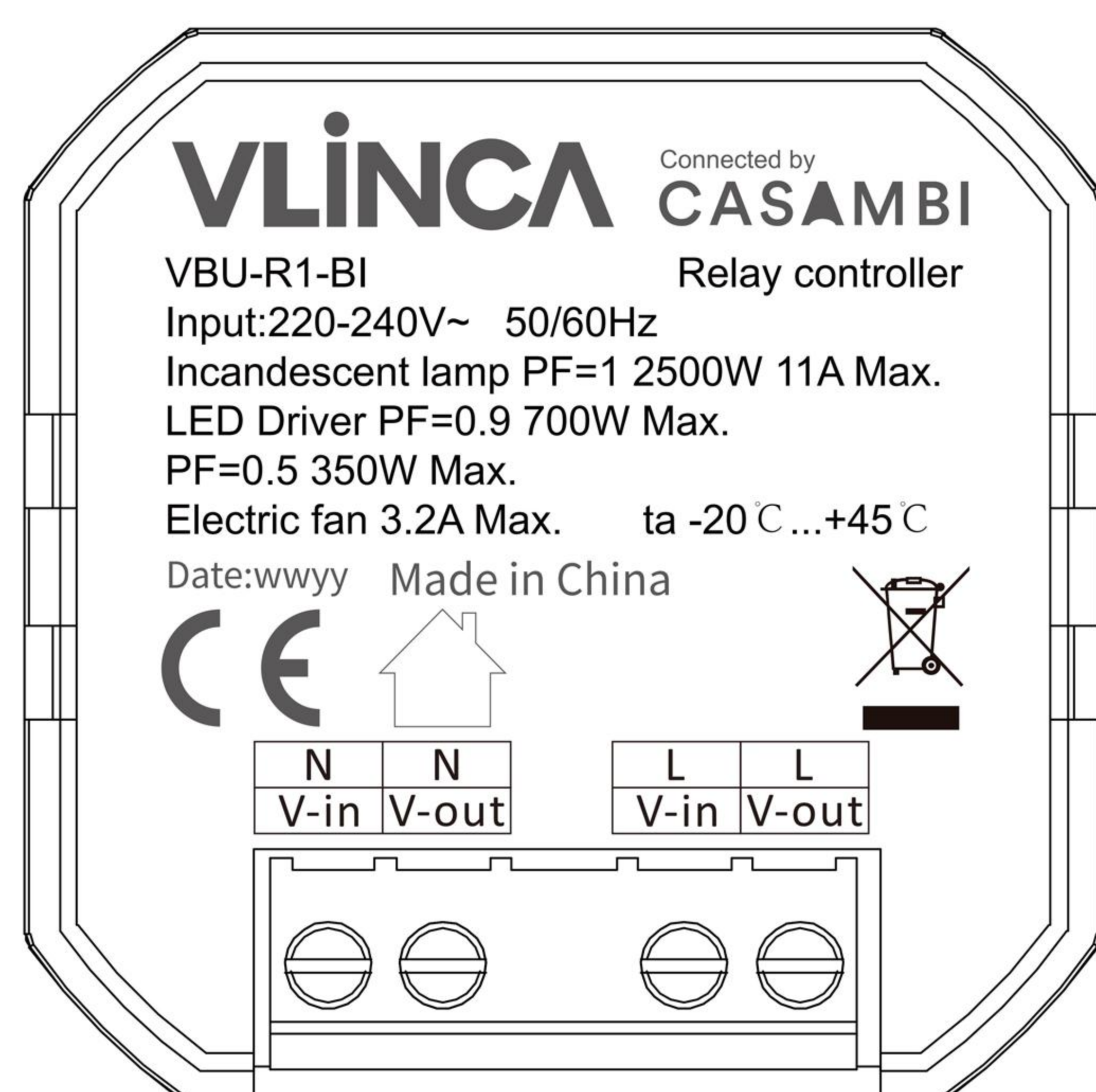




VBU-R1-BI

Version V1.0

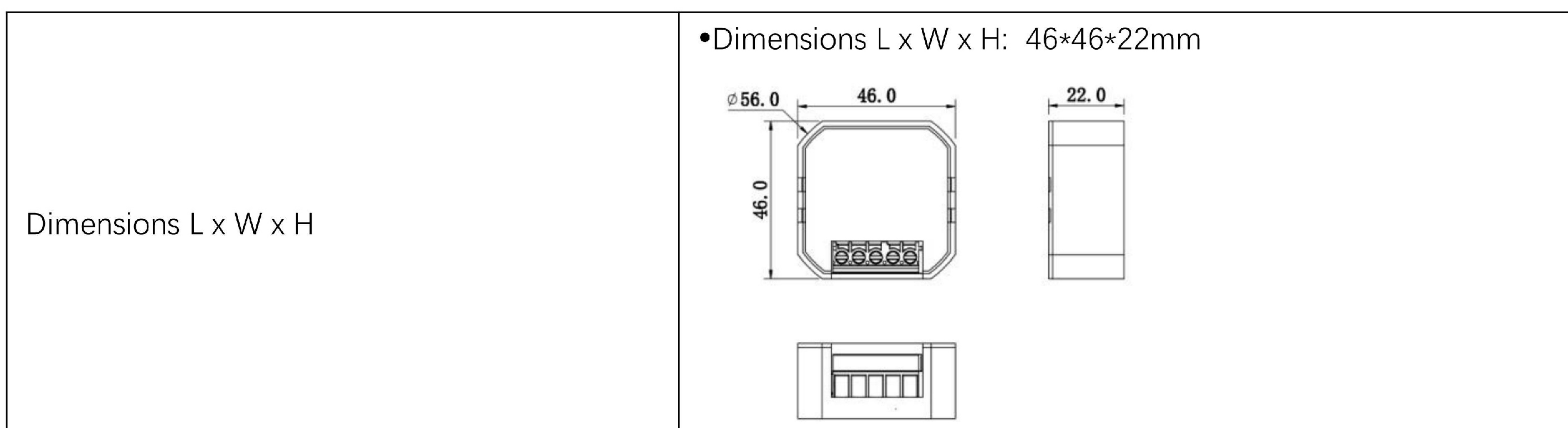
Product introduction



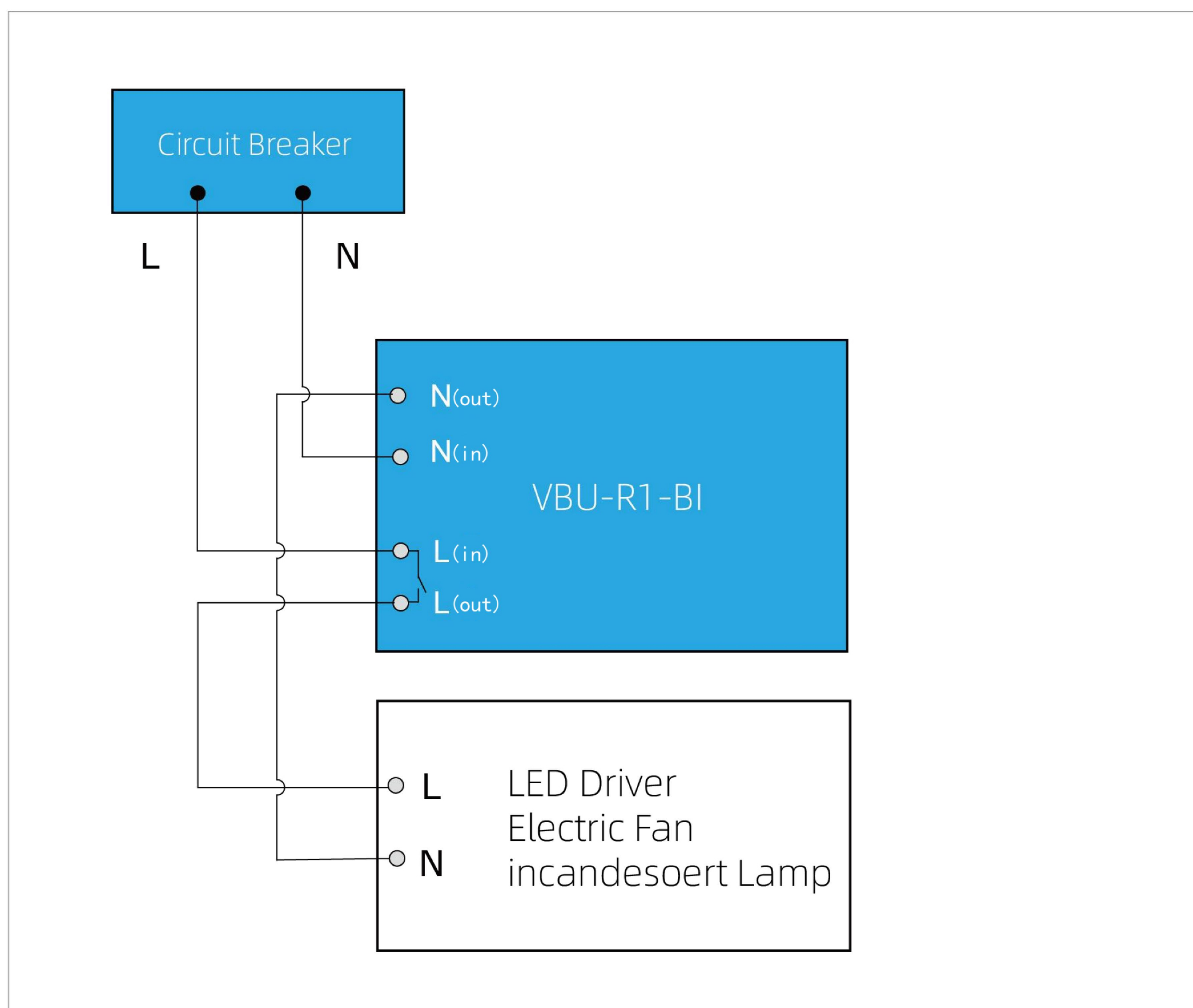
VBU-R1-BI is a 1 channel Bluetooth relay used to switch on and off different load types (e.g. LED driver, electric fan and incandescent lamp) up to breaking capacity of 11A.

TECHNICAL DATA

Rated supply voltage	• 220~240VAC
Output Voltage	• 220~240VAC
Peak power	<ul style="list-style-type: none"> • 1.LED Driver PF=0.9 3.2A/Max 700W PF=0.5 Max 350W • 2.Electric fan Max 3.2A • 4.Incandescent lamp PF=1 Max 2500W 11A MAX
Standby power	• < 0.5W
Effective communication distance in open place	• 50m
Radio transceiver operating frequencies	• 2.4 – 2.483 GHz
Max. output power radio transceiver (E.R.I.P.)	• < + 20 dBm
Ambient temperature ta	• -20 ... +45 °C
Max. casing temperature tc	• 75 °C
Storage temperature ts	• -20 ... +80 °C
Life time	• up to 50,000 h
Wire range, solid	• 0,75–2,5 mm ²
Wire strip length	• 6-8 mm



Wiring diagram



Pair the device into network

If the device is paired in others' network, follow the steps in [Figure 2](#), unpair it first. Tap “unpair device” → “Start” in the app, when the progress bar appears, **restart the device**, then unpaired success. Add it to your desired network.

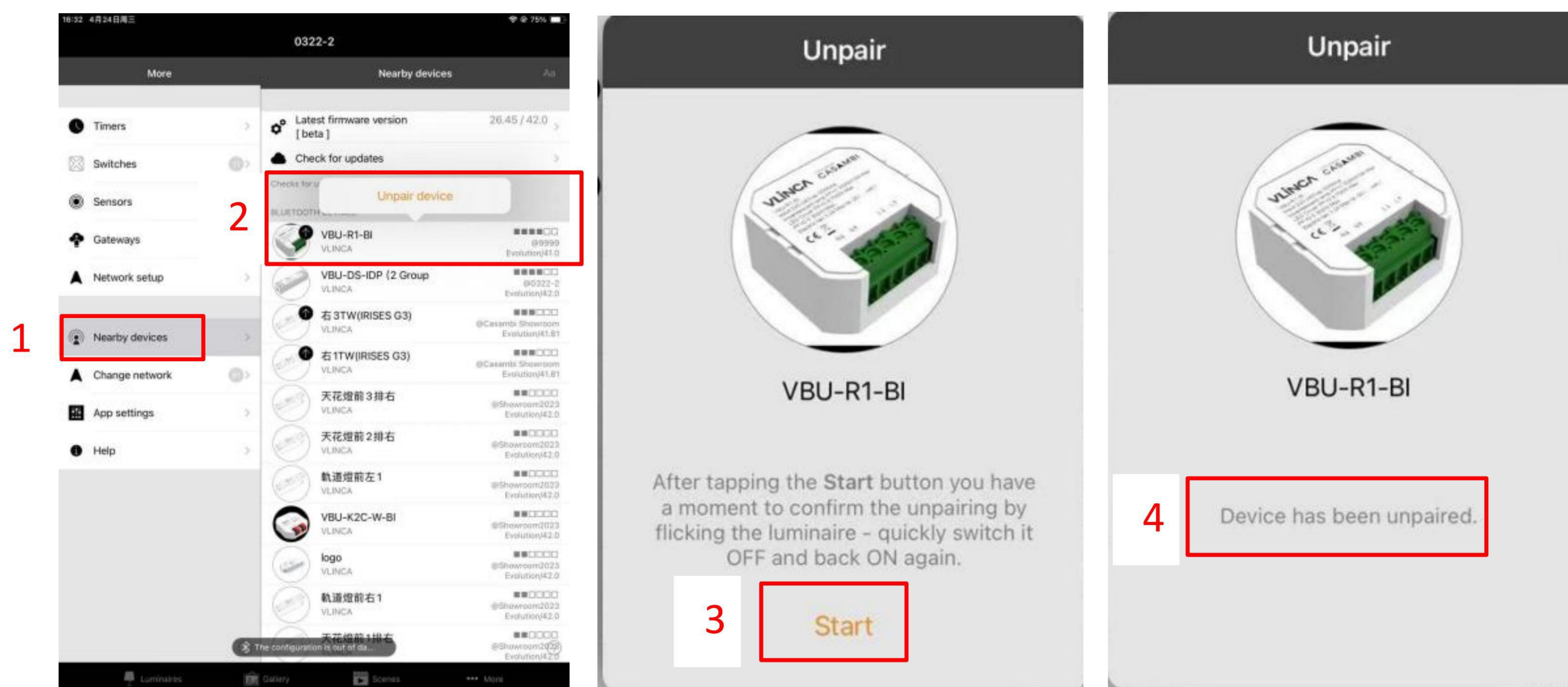


Figure 2

DISPOSAL INSTRUCTIONS In line with EU

Directive 2012/19/EU for waste electrical and electronic equipment (WEEE), this electrical product must not be disposed of as unsorted municipal waste. Please dispose of this product by returning it to the point of sale or to your local municipal collection point for recycling.

COMPLIANCE STATEMENT

VLINCA declares that the VBU-R1-BI fully complies with Directive 2014/53/EU.

Revision record

Version	Remark	Revision date
V1.0	Newly formulate	June 10, 2024